

# Hand-held pressure indicator

## With integrated data logger, ingress protection IP67

### Model CPH6300

WIKA data sheet CT 12.01



For further approvals,  
see page 8

#### Applications

- Calibration service companies and service industry
- Measurement and control laboratories
- Quality assurance
- Leak testing

#### Special features

- Robust and waterproof digital indicator with interchangeable pressure sensors (plug-and-play)
- Measuring ranges from 0 ... 25 mbar to 0 ... 1,000 bar [0 ... 0.4 psi to 0 ... 14,500 psi]
- Pressure type: positive and negative overpressure, absolute pressure and differential pressure
- Accuracy: 0.2 %, optionally 0.1 % (incl. calibration certificate)
- Software and complete service cases (incl. pumps) available



Hand-held pressure indicator, model CPH6300-S1 with model CPT6200 reference pressure sensor

#### Description

##### Extensive application possibilities

For the hand-held pressure indicator model CPH6300, external reference pressure sensors of model CPT6200 with measuring ranges of up to 1,000 bar [14,500 psi] are available. The robust and waterproof design makes the CPH6300 ideal for use in adverse environments. The digital indicator automatically detects the measuring range of the connected pressure sensor and guarantees a highly accurate pressure measurement.

##### Functionality

The CPH6300 can be used for measuring both gauge and absolute pressure. Differential pressure measurement is possible with the 2-channel version CPH6300-S2, and two connected model CPT6200 reference pressure sensors. The selectable pressure units are bar, mbar, psi, Pa, kPa, MPa, mmHg, inHg, mH<sub>2</sub>O and one customer-specific unit.

An integrated data logger and various other functions such as Min., Max., Hold, Tare, zero point adjustment, alarm, power-off, peak value detection (1,000 measurements/s), mean value filter, etc. ensure that the CPH6300 can be used for many different applications. The large display with backlighting and a long battery life complete the special features of the CPH6300.

##### Software

In addition to the GSoft data logger evaluation software for the tabular and graphical representation of the logger data, WIKA-Cal calibration software for calibration tasks is also available. WIKA-Cal also offers, over and above PC-supported calibration, the management of the calibration and instrument data in an SQL database. A USB interface is available for data transfer.

### Complete test and service cases

For maintenance and service applications, various case systems are available. These include service cases with or without pressure generation, rechargeable battery, battery charger, connection adapter, etc.

### Certified accuracy

For each reference pressure sensor, the accuracy for the complete measuring chain is certified by a factory calibration certificate which accompanies the instrument. On request, we can provide a DAkkS calibration certificate for this instrument.

## Basic information - Complete measuring chain

Complete measuring chain	
<b>Sensing technology</b>	<ul style="list-style-type: none"><li>■ 2 model CPT6200 reference pressure sensors (interchangeable without tools) 1 input for CPH6300-S1 2 inputs for CPH6300-S2</li><li>■ External operation via 3.8 m [12.5 ft] sensor connection cable (plug-and-play)</li></ul>
<b>Accuracy of the measuring chain <sup>1)</sup></b>	Depending on pressure range <ul style="list-style-type: none"><li>■ 0.2 % FS (resolution: 4-digit)</li><li>■ 0.1 % FS (resolution: 4 ½-digit)</li></ul>
<b>Calibration of the measuring chain</b>	At 23 °C [74 °F] and in a vertical mounting position, pressure connection facing downwards.
<b>Reference conditions</b>	
Ambient temperature	15 ... 25 °C [59 ... 77 °F]
<b>Pressure types</b>	
Gauge pressure	0 ... 1,000 bar [0 ... 14,500 psi]
Absolute pressure	0 ... 0.25 bar abs. to 0 ... 25 bar abs. [0 ... 5 psi abs. to 0 ... 200 psi abs.]
Vacuum and +/- measuring range	-600 ... +600 mbar to -1 ... 39 bar [-15 ... +15 psi to -15 ... 130 psi]
Differential pressure	Differential pressure measurement only possible with CPH6300-S2, and two model CPT6200 reference pressure sensors connected

1) It is defined by the total measurement uncertainty, which is expressed with the coverage factor (k = 2) and includes the following factors: the intrinsic performance of the instrument, the measurement uncertainty of the reference instrument, long-term stability, influence of ambient conditions, drift and temperature effects over the compensated range during a periodic zero point adjustment.

## Specifications for digital indicator model CPH6300

Basic information	
<b>Functions</b>	
Functions can be activated via button press	<ul style="list-style-type: none"><li>■ Min./Max. memory</li><li>■ Hold</li><li>■ Tare</li><li>■ Zero point adjustment</li><li>■ Data logger (start/stop)</li></ul>
Functions can be activated via menu	<ul style="list-style-type: none"><li>■ Min./Max. alarm (audible/visual)</li><li>■ Sea level (barometric pressure)</li><li>■ Power-off function</li><li>■ Data logger</li><li>■ Measuring rate,</li><li>■ Mean value filter</li></ul>
Mean value filter	1 ... 120 seconds, adjustable
Measuring rate	Peak value detection, selectable <ul style="list-style-type: none"><li>■ 4/s ("slow")</li><li>■ 1,000/s ("fast")</li><li>■ &gt; 1,000/s unfiltered</li></ul>
Real-time clock	Integrated clock with date
Leak testing / Sealing tests	Pressure rate display, logging via data logger

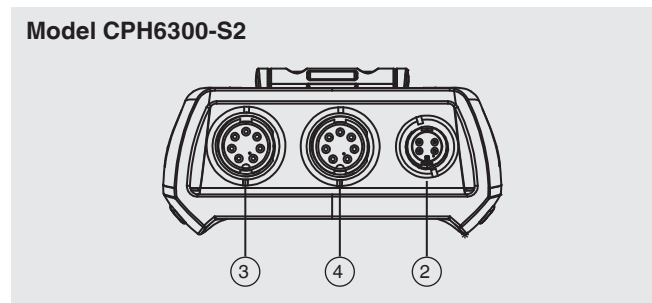
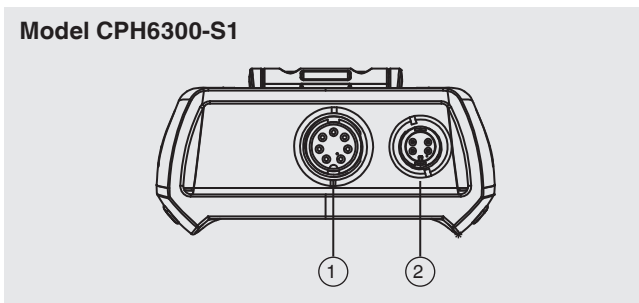
Basic information	
<b>Data logger</b>	
Individual value logger	Up to 1,000 recordings (with measuring point input, 40 settable measuring point texts or measuring point no.) incl. time via button press
Cyclic logger	Automatic recording of up to 10,000 values incl. time
Cycle time	Selectable from 1 ... 3,600 seconds
<b>Voltage supply</b>	
Auxiliary power	2 x 1.5 V AAA batteries
Battery life	> 500 hours of operation (1 sensor with a measuring rate of 4/s)
Battery status display	Icon in display
<b>Case</b>	
Material	<ul style="list-style-type: none"> <li>■ Impact-resistant ABS plastic</li> <li>■ Membrane keyboard</li> <li>■ Transparent screen</li> <li>■ Silicone protective casing</li> </ul>
Ingress protection	<ul style="list-style-type: none"> <li>■ IP65</li> <li>■ IP67 when connected</li> </ul> Both ingress protection types are met
Electrical connection	<ul style="list-style-type: none"> <li>■ Sensor cable: bayonet connector, 7-pin</li> <li>■ Interface connector: bayonet connector, 4-pin</li> </ul>
Dimensions	See technical drawing
Weight	Approx. 250 g [0.55 lb] (incl. batteries and protective casing)
<b>Sensor compatibility</b>	Compatible with model CPT6200 reference pressure sensors

Digital display instrument	
<b>Digital display</b>	
Display range	-19999 ... 19999 digits (depending on connected reference pressure sensor)
Display resolution	Max. 4 ½-digit Depending on pressure range
Backlighting	Can be activated via button press
Type of display	Large 4 ½-digit LC display with backlighting, for the display of two pressure values and additional information
<b>Units</b>	
Pressure units	Adjustable via menu <ul style="list-style-type: none"> <li>■ mbar</li> <li>■ bar</li> <li>■ psi</li> <li>■ Pa</li> <li>■ kPa</li> <li>■ MPa</li> <li>■ mmHg</li> <li>■ inHg</li> <li>■ mH<sub>2</sub>O</li> <li>■ Customer-specific unit with presetting to kg/cm<sup>2</sup></li> </ul>

Output signal	
<b>Analogue output</b>	DC 0 ... 1 V; configurable (can be activated via menu alternative to interface)
Communication	
Interface	USB via interface cable
Interface cable	Interface cable with USB and bayonet connector, 4-pin
Measuring rate	<ul style="list-style-type: none"> <li>■ 4/s ("slow")</li> <li>■ 1,000/s ("fast")</li> <li>■ &gt; 1,000/s unfiltered</li> </ul>

Electrical connection	
<b>Connection type</b>	Bayonet connector, 7-pin
<b>Ingress protection</b>	IP65 (with cable connected)
<b>Sensor connection cable (plug-and-play)</b>	<ul style="list-style-type: none"> <li>■ Without</li> <li>■ Length 1.1 m [3.3 ft]</li> <li>■ Extension cable - length 3.8 m [12.5 ft] extended to 5 m [16.4 ft]</li> </ul>

### Electrical connections to the digital indicator



- ① Connection channel 1 (only with CPH6300-S1)
- ② Interface connector
- ③ Connection channel 1 (only with CPH6300-S2)
- ④ Connection channel 2 (only with CPH6300-S2)

Operating conditions	
<b>Operating temperature</b>	-25 ... +50 °C [-13 ... +122 °F]
<b>Storage temperature range</b>	-25 ... +70 °C [-13 ... +158 °F]
<b>Relative humidity, condensation</b>	0 ... 95 % r. h. (non-condensing)
<b>Ingress protection of the complete instrument</b>	IP67
<b>EMC (HF field)</b>	EN 61326 emission (group 1, class B) and immunity (portable equipment)

## Specifications for reference pressure sensor model CPT6200

Basic information	
<b>Case</b>	
Material	Stainless steel
Dimensions	→ See technical drawing
Weight	Approx. 220 g [0.49 lb]
<b>Electrical connection</b>	Bayonet connector, 7-pin
<b>Connection to the CPH6300</b> (plug-and-play)	<ul style="list-style-type: none"> <li>■ Over 1 m [3.3 ft] sensor connection cable</li> <li>■ Extension cable for connection of sensors Length: approx. 3.8 m [12.5 ft] to approx. 5 m [16.4 ft]</li> </ul>
<b>Ingress protection</b>	<ul style="list-style-type: none"> <li>■ IP65</li> <li>■ IP67 when connected</li> </ul> Both ingress protection types are met

Accuracy specifications	
<b>Accuracy 1)</b>	≤ 0.2 % of span at reference conditions
<b>Reference conditions</b>	
Ambient temperature	15 ... 25 °C [59 ... 77 °F]
Mounting position	Vertical mounting position, process connection facing downwards.
<b>Compensated range</b>	0 ... 80 °C [0 ... 176 °F]
<b>Mean temperature coefficient</b>	≤ 0.2 % of span/10 K (outside the reference conditions)

1) It is defined by the total measurement uncertainty, which is expressed with the coverage factor (k = 2) and includes the following factors: the intrinsic performance of the instrument, the measurement uncertainty of the reference instrument, long-term stability, influence of ambient conditions, drift and temperature effects over the compensated range during a periodic zero point adjustment.

### Pressure ranges, gauge pressure

mbar	
0 ... 25	0 ... 160
0 ... 40	0 ... 250
0 ... 60	0 ... 400
0 ... 100	0 ... 600

bar	
0 ... 1	0 ... 60
0 ... 1.6	0 ... 70
0 ... 2.5	0 ... 100
0 ... 4	0 ... 160
0 ... 6	0 ... 250
0 ... 10	0 ... 400
0 ... 16	0 ... 600
0 ... 25	0 ... 1,000
0 ... 40	

psi	
0 ... 5	0 ... 300
0 ... 10	0 ... 500
0 ... 15	0 ... 1,000
0 ... 20	0 ... 1,500
0 ... 30	0 ... 2,000
0 ... 50	0 ... 3,000
0 ... 100	0 ... 6,000
0 ... 150	0 ... 8,000
0 ... 200	0 ... 14,500

## Pressure ranges, absolute pressure

bar abs.	
0 ... 0.25	0 ... 4
0 ... 0.4	0 ... 6
0 ... 0.6	0 ... 10
0 ... 1	0 ... 16
0 ... 1.2	0 ... 25
0 ... 1.6	0.8 ... 1.2
0 ... 2.5	-

psi abs.	
0 ... 5	0 ... 50
0 ... 10	0 ... 100
0 ... 15	0 ... 150
0 ... 20	0 ... 200
0 ... 30	-

## Pressure ranges, vacuum and +/- measuring range

mbar	
-600 ... +600	-19.99 ... +40
-400 ... +400	-19.99 ... +60
-250 ... +250	-600 ... 0
-100 ... +100	-400 ... 0
-19.99 ... +25	-250 ... 0

psi	
-3 ... +3	-8 ... 0
-5 ... +5	-15 ... 0
-8 ... +8	-15 ... +40
-15 ... +15	-15 ... +70
-3 ... 0	-15 ... +130
-5 ... 0	-

bar	
-1 ... 0	-1 ... 9
-1 ... 1.5	-1 ... 15
-1 ... 3	-1 ... 24
-1 ... 5	-1 ... 39

→ Other measuring ranges on request.

## Further details on: measuring range

Overpressure limit		
3 times	< 25 bar	< 360 psi
2 times	> 25 ... ≤ 600 bar	> 360 ... ≤ 8,700 psi
1.5 times	> 600 ... ≤ 1,000 bar	> 8,700 ... ≤ 14,500 psi

## Process connection

Standard	Thread sizes	Possible measuring ranges
EN 837	■ G ½ B	■ ≤ 1,000 bar [≤ 14,500 psi]
	■ G ¼ B	
	■ G ½ B flush with O-ring (NBR)	1.6 ... 1,000 bar or bar abs. [20 ... 14,500 psi or psi abs.]
	■ G ½ B flush with O-ring (EPDM)	
ANSI/ASME B1.20.1	■ G 1 B flush with O-ring (NBR)	> 0.1 ... ≤ 1.6 bar or bar abs. [> 5 ... ≤ 20 psi or psi abs.]
	■ G 1 B flush with O-ring (EPDM)	
	■ ½ NPT	≤ 1,000 bar [≤ 14,500 psi]
■ ¼ NPT		

Further details on: process connection		
<b>Process connection adapter</b>	<ul style="list-style-type: none"> <li>■ Without</li> <li>■ G ½ to ¼ NPT</li> <li>■ G ½ to ½ NPT</li> </ul>	
<b>Seal</b>	<ul style="list-style-type: none"> <li>■ NBR</li> <li>■ EPDM</li> <li>■ FKM/FPM</li> </ul>	
<b>Other versions</b>		
Oil- and grease-free	Per G93:2019 level D (< 220 mg/m <sup>2</sup> )	
	→ Others on request	
<b>Material</b>		
Wetted parts	-1 ... 1,000 bar [-14.5 ... 14,500 psi]	<ul style="list-style-type: none"> <li>■ Stainless steel 1.4404 (316L)</li> <li>■ Elgiloy® 2.4711</li> </ul>
	0 ... 25 mbar to 0 ... 60 mbar [0 ... 0.4 psi to 0 ... 0.9 psi]	<ul style="list-style-type: none"> <li>■ Stainless steel</li> <li>■ Silicon</li> <li>■ Aluminium</li> <li>■ Gold</li> <li>■ Silicone</li> </ul>
	> 40 bar ... ≤ 1,000 bar [> 500 ... ≤ 15,000 psi]	<ul style="list-style-type: none"> <li>■ Process connection: stainless steel 1.4404 (316L)</li> <li>■ Sensor: Elgiloy® 2.4711</li> </ul>
	-1 ... 10,000 bar [-14.5 ... 150,000 psi]	<ul style="list-style-type: none"> <li>■ Stainless steel 1.4435 (316L)</li> <li>■ Hastelloy® 2.4819 (HC276)</li> <li>■ Gold-plated</li> </ul>
	> 25 bar [360 psi]	<ul style="list-style-type: none"> <li>■ Stainless steel with O-ring from NBR</li> <li>■ Elgiloy® with O-ring from NBR</li> </ul>
Flush version	<ul style="list-style-type: none"> <li>■ Stainless steel with O-ring from NBR</li> <li>■ Stainless steel with O-ring from FKM/FPM</li> <li>■ Stainless steel with O-ring from EPDM</li> <li>■ Hastelloy C4 with O-ring from NBR</li> <li>■ Hastelloy C4 with O-ring from FKM/FPM</li> <li>■ Hastelloy C4 with O-ring from EPDM</li> </ul>	
<b>Internal pressure transmission medium</b>	Synthetic oil	<ul style="list-style-type: none"> <li>■ With measuring ranges to ≤ 16 bar [≤ 300 psi]</li> <li>■ Flush diaphragm</li> <li>■ Listed by FDA for food industry</li> </ul>

1) Only possible for thread size G ½ B.

Operating conditions	
<b>Medium temperature range</b>	-30 ... +100 °C [-22 ... +212 °F] -30 ... +80 °C [-22 ... +176 °F] For pressure measuring ranges of 0 ... 25 mbar, 0 ... 40 mbar and 0 ... 60 mbar [0 ... 0.4 psi, 0 ... 0.6 psi and 0 ... 0.9 psi]
<b>Operating temperature</b>	-20 ... +80 °C [-4 ... +176 °F]
<b>Storage temperature range</b>	-40 ... +100 °C [-40 ... +212 °F] -40 ... +80 °C [-40 ... +176 °F] For pressure measuring ranges of 0 ... 25 mbar, 0 ... 40 mbar and 0 ... 60 mbar [0 ... 0.4 psi, 0 ... 0.6 psi and 0 ... 0.9 psi]
<b>Relative humidity, condensation</b>	0 ... 95 % r. h. (non-condensing)
<b>Ingress protection</b>	<ul style="list-style-type: none"> <li>■ IP65</li> <li>■ IP67 when connected</li> </ul> Both ingress protection types are met
<b>Permissible pollution degree</b>	3 per EN 61010-1
<b>EMC (HF field)</b>	EN 61326 emission (group 1, class B) and immunity (portable equipment)

## Approvals

Logo	Description	Region
CE	<b>EU declaration of conformity for CPH6300</b>	European Union
	EMC directive EN 61326 emission (group 1, class B) and immunity (portable equipment)	
	RoHS directive	
CE	<b>EU declaration of conformity for CPT6200</b>	European Union
	EMC directive EN 61326 emission (group 1, class B) and immunity (portable equipment)	
	Pressure Equipment Directive PS > 200 bar; module A, pressure accessory	
	RoHS directive	
UK CA	<b>UKCA for CPT6200</b>	United Kingdom
	Electromagnetic compatibility regulations	
	Pressure equipment (safety) regulations Restriction of hazardous substances (RoHS) regulations	

## Optional approvals

Logo	Description	Region
EAC	<b>EAC</b>	Eurasian Economic Community
	EMC directive	
	Pressure Equipment Directive	
-	<b>CRN</b> Safety (e.g. electr. safety, overpressure, ...)	Canada
-	<b>MChS</b> Permission for commissioning	Kazakhstan

## Certificates

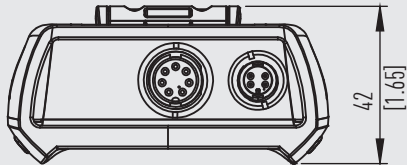
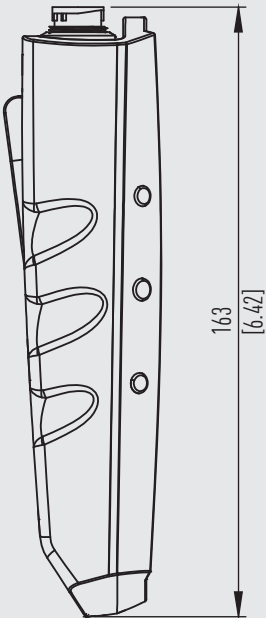
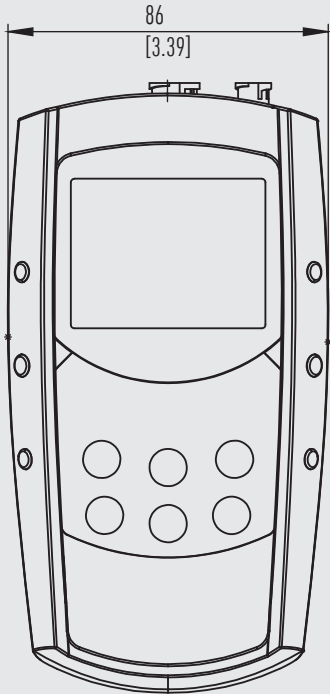
Certificates	
<b>Calibration for CPT6200</b>	<ul style="list-style-type: none"> <li>■ 3.1 inspection certificate per EN 10204</li> <li>■ DAkkS calibration certificate (traceable and accredited in accordance with ISO/IEC 17025)</li> </ul>
<b>Recommended calibration interval</b>	1 year (dependent on conditions of use)

→ For approvals and certificates, see website

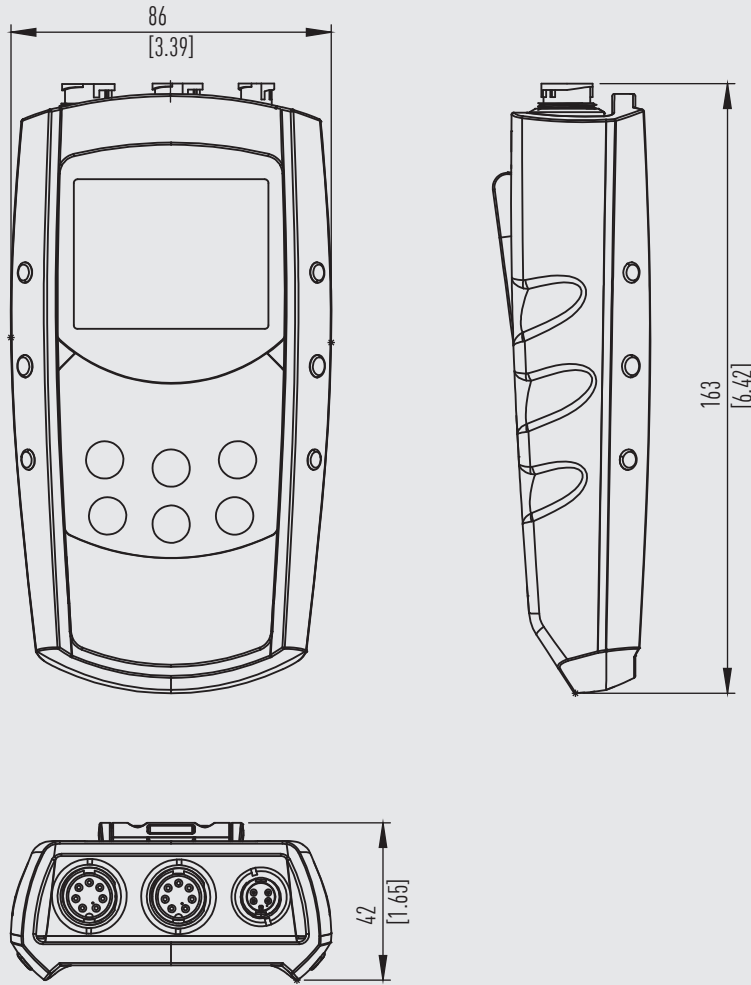


Dimensions in mm [in]

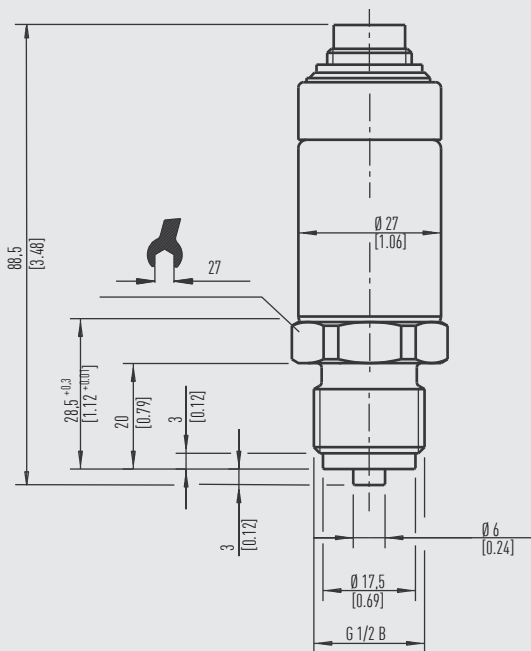
Digital indicator CPH6300-S1



**Digital indicator CPH6300-S2**

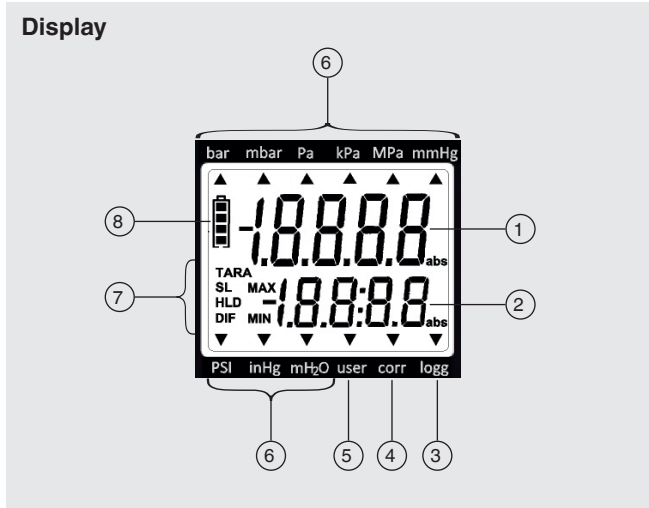


**Reference pressure sensor CPT6200**

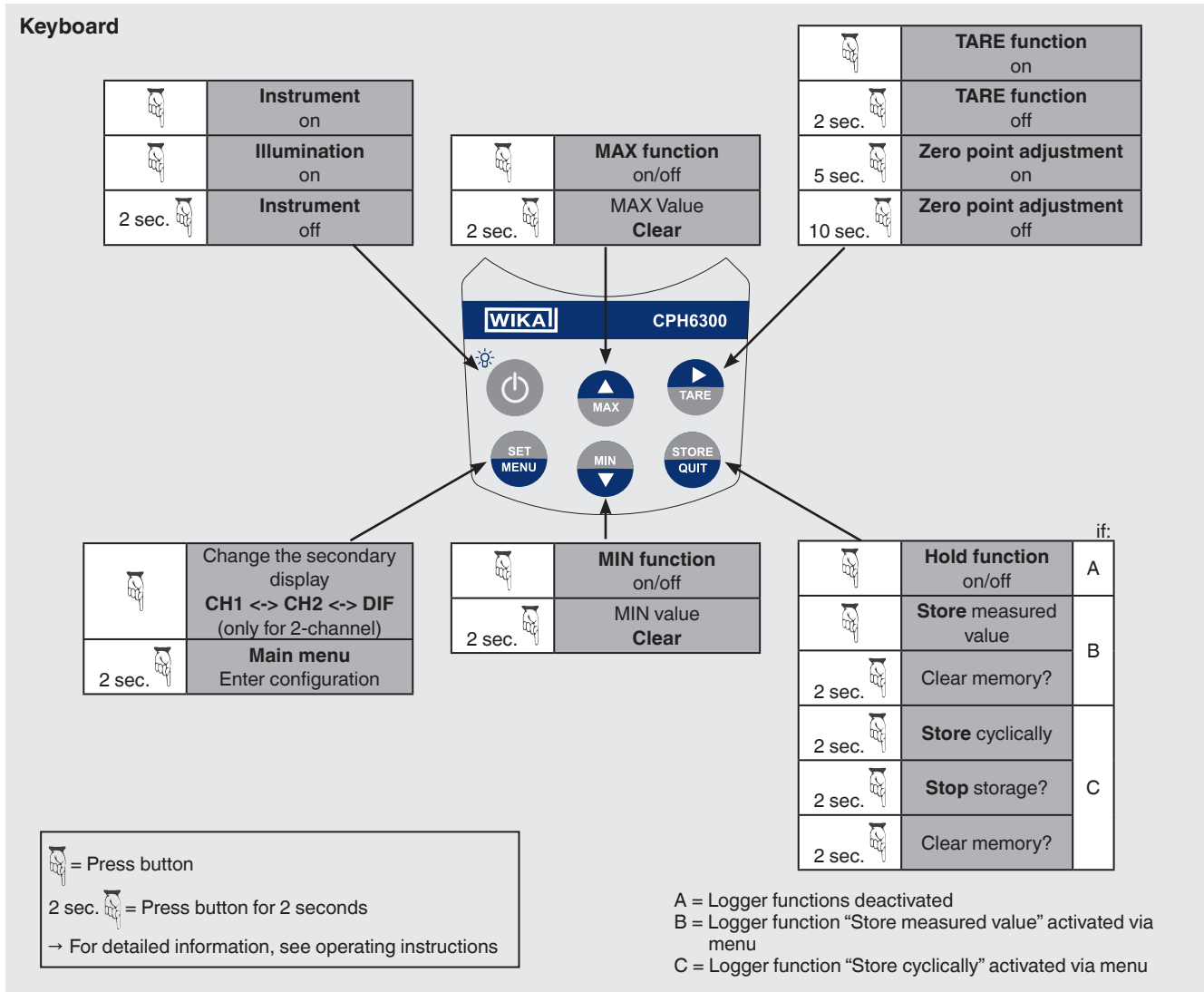


# Operating functions of the models CPH6300-S1 and CPH6300-S2

## 1- and 2-channel version with external pressure sensors



- ① **Main display**  
Current measured value of sensor 1
- ② **Secondary display**  
Current measured value of sensor 2 or differential value between sensor 1 and sensor 2
- ③ **logg arrow**  
Logger is ready  
Arrow blinking: automatic recording (Logg CYCL) active
- ④ **corr arrow**  
Zero point or slope correction has been made
- ⑤ **user arrow**  
Measured value is specified in the freely configurable user unit
- ⑥ **Measured value units**  
Display arrows for measured value units
- ⑦ Indication elements for the display of the Min./Max. values, as well as the Tare function and sea level correction
- ⑧ Battery status display



## Complete test and service cases

The available test and service cases are individually equipped according to your needs.

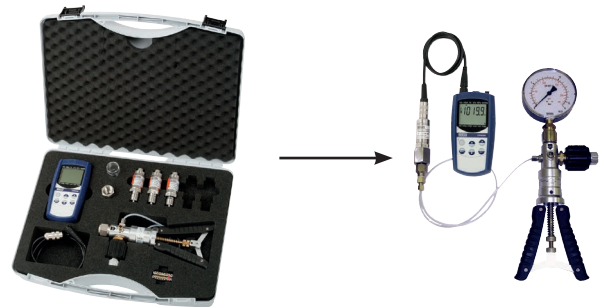
A distinction is made between 5 different variants, which differ in the case size and the number or size of the recesses.

Case variants and existing recesses	1 <sup>1)</sup>	2	3
<b>Recesses for standard components</b>			
Hand-held pressure indicator, either model CPH63000-S1 or CPH6300-S2	x	x	x
Sensor connection cable 3.8 m [12.5 ft]	x	x	x
Two AAA batteries, Euro standard, UK standard or US standard	x	x	x
Seal set	x	x	x
Number of freely selectable reference pressure sensors, model CPT6200	3	5	4
Pneumatic hand test pump, either model CPP30 or CPP7-H		x	
Hydraulic hand test pump, either model CPP700-H or CPP1000-H			x
<b>Recesses for additional accessories</b>			
Sensor extension cable 5 m [16.4 ft]	x	x	x
9 V rechargeable battery and battery charger	x	x	x
Power supply unit			
USB interface cable	x	x	x
GSoft data logger evaluation software	x	x	x
USB dongle for WIKA-Cal calibration software	x	x	x

1) Due to its size, this case model may not provide enough space for all available accessories. We will be happy to help you choose the best equipment for your case set.



**Variant 1: calibration case with max. 3 pressure sensors**



**Variant 2: calibration case with max. 5 pressure sensors incl. hand test pump**



**Variant 3: calibration case with max. 4 pressure sensors incl. hand test pump**

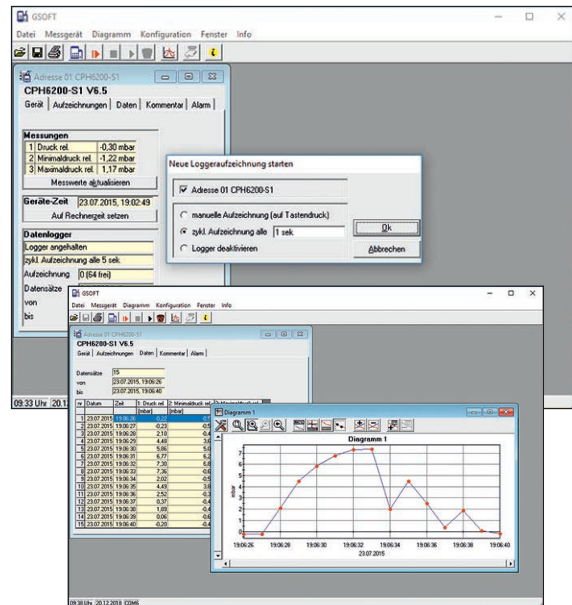
# GSoft data logger evaluation software

The GSoft data logger evaluation software is used to display the logger data of the model CPH6xx0 hand-held pressure indicator on a PC in tabular form and as chart.

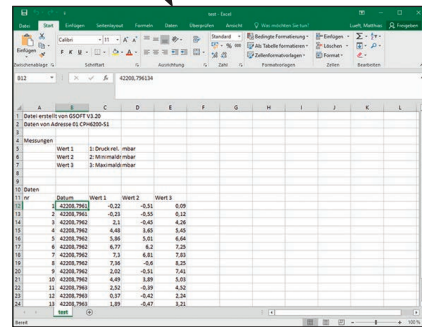
- Easy operation with self-explanatory toolbars
- Data from the pressure and temperature hand-helds can be displayed in a single chart (two separate y-axes)
- Chart offers a zoom function
- Operation of the logger function via PC (remote control)
- Data can be exported (Excel®, etc.)
- Languages: German, English, French, Spanish and Czech

## System requirements, GSoft version 3.2

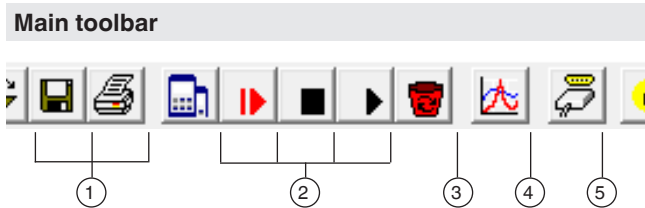
- At least 20 MB free hard disc space
- At least 32 MB RAM
- Operating system: Windows® 7 or newer
- USB port (via interface cable)



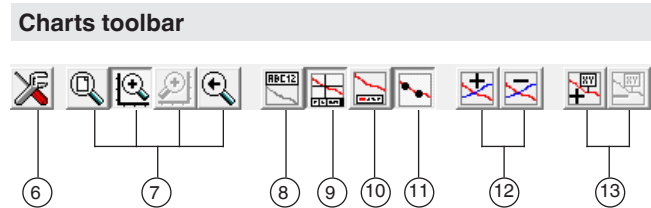
Data export e.g. in an Excel® file



## Easy operation with self-explanatory icon buttons



- ① File functions: open, save, print
- ② Logger functions: start communication, start/stop logger, read data
- ③ Data display: create chart
- ④ Interface configuration
- ⑤ Program information
- ⑥ Settings: grid and colour settings, manual zooms



- ⑦ Zoom: all, left or right y-axis (via mouse), back
- ⑧ Rename chart
- ⑨ Cursor on/off (info footer)
- ⑩ Legend on/off
- ⑪ (Measuring point) symbols on/off
- ⑫ Measurement series (add/delete)
- ⑬ Comments on measuring points (add/delete)

## WIKA-Cal calibration software

### Easy and fast creation of a high-quality calibration certificate

The WIKA-Cal calibration software is used for generating calibration certificates or logger protocols for pressure measuring instruments and is available as a demo version for a cost-free download.

To switch from the demo version to a licenced version, a USB dongle with a valid licence must be purchased.

The preinstalled demo version changes automatically to the selected version when plugging in the USB dongle and remains available as long as the USB dongle is connected to the PC.



- The user is guided through the calibration or logger process
- Management of calibration data and instrument data
- Intelligent preselection via SQL database
- Menu languages: German, English, Italian, French, Dutch, Polish, Portuguese, Romanian, Spanish, Swedish, Russian, Greek, Japanese, Chinese  
More languages are due with software updates
- Customer-specific complete solutions possible

The supported instruments are continuously expanded and even customer-specific adaptations are possible.

→ For further information, see data sheet CT 95.10

### Two WIKA-Cal licences are available together with one hand-held

The WIKA-Cal calibration software is available both for reading the logger data stored in the hand-held as well as for online calibrations together with a PC. The scope of software functions depends on the selected licence. Several licences can be combined on one USB dongle.

Cal-Template (demo version)	Cal-Template (light version)	Log-Template (full version)
Fully automatic calibration	Semi-automatic calibration	<ul style="list-style-type: none"> <li>■ Live measured value recording for a certain period of time with selectable interval, duration and start time</li> <li>■ Readout of the integrated data logger of the hand-held</li> <li>■ Creation of logger protocols with graphic and/or tabular representation of the measuring results in PDF format</li> <li>■ Possibility of exporting measuring results as CSV file</li> </ul>
Limitation to two measuring points	No limitation of the measuring points approached	
<ul style="list-style-type: none"> <li>■ Creation of 3.1 inspection certificates per DIN EN 10204</li> <li>■ Calibration data can be exported to Excel® template or XML file</li> <li>■ Calibration of pressure measuring instruments</li> </ul>		
Ordering information for your enquiry:		
Is available for a cost-free download	WIKA-CAL-LZ-Z-Z	WIKA-CAL-ZZ-L-Z
	WIKA-CAL-LZ-L-Z	

## Accessories and spare parts

Description <sup>1)</sup>		Order code
		<b>CPH-A-63-</b>
	<b>Rechargeable battery</b> 2 x 1.5 V AAA	-A-
	<b>Battery</b> 2 x 1.5 V AAA	-B-
	<b>Battery charger for 9 V rechargeable battery and 2 rechargeable AAA batteries</b> Euro standard	-1-
	UK standard	-2-
	US standard	-3-
	<b>Seal set</b> Consisting of: ■ 4 x G ½ USIT seals ■ 2 x G ¼ USIT seals ■ Plastic box	-D-
	<b>Cable</b> Sensor connection cable Length: approx. 1.1 m [3.3 ft]	-S-
	Extension cable for connection of sensors Length: approx. 3.8 m [12.5 ft] to approx. 5 m [16.4 ft]	-V-
	2-wire connection cable with loose ends (end splices) for connecting the configurable analogue output Length: approx. 2 m [6.6 ft]	-E-
	<b>Interface cable</b> For USB interfaces	-U-
-	<b>GSoft data logger evaluation software</b>	-G-
	<b>Plastic case</b> <b>Variant 1</b> For 1 hand-held, max. 3 pressure sensors and accessories Dimensions: 340 x 275 x 83 mm [13.39 x 10.83 x 3.27 in]	-K-
	<b>Variant 2</b> For 1 hand-held, max. 5 pressure sensors, 1 pneumatic hand test pump model CPP7-H or model CPP30 and accessories Dimensions: 450 x 360 x 123 mm [17.72 x 13.78 x 4.84 in]	-L-
	<b>Variant 3</b> For 1 hand-held, max. 4 pressure sensors, 1 hydraulic hand test pump model CPP700-H or model CPP1000-H and accessories Dimensions: 450 x 360 x 140 mm [17.72 x 13.78 x 5.51 in]	-N-
<b>Ordering information for your enquiry:</b>		
1. Order code: CPH-A-63-Z		↓
2. Option:		[ ]

1) The figures are an example and may change depending on the state of the art in design, material composition and representation

## Scope of delivery

- Hand-held pressure indicator model CPH6300-S1 or S2  
incl. two AAA batteries
- One sensor connection cable per channel
- Calibration certificate
- Choice of sensors



**Model CPH6300-S2 hand-held pressure indicator with two model CPT6200 reference pressure sensors**

## Ordering information

CPH6300 / Instrument version / Additional cable for reference pressure sensor / Power supply unit / Rechargeable battery and battery charger / Software / Interface cable / Test pump / Transport case / Further approvals / Additional ordering information

CPT6200 / Unit / Measuring range / Accuracy / Process connection / Wetted parts / Special design features / Type of certificate / Pressure adapter / Further approvals / Additional ordering information

Microsoft® and Windows® are registered trademarks of Microsoft Corporation in the United States and other countries.  
Microsoft Excel® is a registered trademark of Microsoft Corporation in the United States and other countries.

© 03/2012 WIKA Alexander Wiegand SE & Co. KG, all rights reserved.  
The specifications given in this document represent the state of engineering at the time of publishing.  
We reserve the right to make modifications to the specifications and materials.  
In case of a different interpretation of the translated and the English data sheet, the English wording shall prevail.

