

Test gauge, stainless steel Test instrument, safety version Model 332.11, class 0.6, NS 160

WIKA data sheet PM 03.04



for further approvals
see page 2

Applications

- Mobile precision measurement under special safety
- For gaseous and liquid aggressive media that are not highly viscous or crystallising, also in aggressive ambience
- High-accuracy pressure measurement
- Testing of industrial type pressure gauges

Special features

- Safety pressure gauge with solid baffle wall designed in compliance with operational safety requirements of EN 837-1
- All stainless steel construction
- Knife edge pointer for optimal accuracy of reading
- Wear-resistant precision movement from stainless steel
- Scale ranges up to 0 ... 600 bar

Description

Design
EN 837-1

Nominal size in mm
250

Accuracy class
0.6

Scale ranges
0 ... 0.6 to 0 ... 600 bar
or all other equivalent vacuum or combined pressure and vacuum ranges

Adjustment medium
≤ 25 bar: Gas
> 25 bar: Liquid



Fig. left: Model 332.11

Fig. right: Model 332.11 in service case

Pressure limitation

Steady: Full scale value
Fluctuating: 0.9 x full scale value
Short time: 1.3 x full scale value

Permissible temperature

Ambient: -40 ... +60 °C
Medium: +80 °C maximum (model 311.11)
+200 °C maximum (model 331.11)

Temperature effect

When the temperature of the measuring system deviates from the reference temperature (+20 °C): max. ±0.4 %/10 K of full scale value

Ingress protection

IP54 per IEC/EN 60529

Standard version

Process connection

Stainless steel 316L

Angled valve with LH-RH union M20 x 1.5

Pressure element

Stainless steel 316L

< 100 bar: C-type

≥ 100 bar: Helical type

Movement

Stainless steel

Dial

Aluminium, white, black lettering

Pointer

Knife edge pointer, aluminium, black

Case

Stainless steel, with solid baffle wall (Solidfront) and blow-out back

Window

Laminated safety glass






Ring

Bayonet ring, stainless steel

Options

- Adjustment medium by agreement
- Oil and grease free version for oxygen
- Staple for round flanges

Approvals

Logo	Description	Country
	EU declaration of conformity Pressure equipment directive, PS > 200 bar; module A, pressure accessory	European Union
	GOST (option) Metrology, measurement technology	Russia
	KazInMetr (option) Metrology, measurement technology	Kazakhstan
-	MTSCHS (option) Permission for commissioning	Kazakhstan
	BelGIM (option) Metrology, measurement technology	Belarus
	Uzstandard (option) Metrology, measurement technology	Uzbekistan
-	CPA (option) Metrology, measurement technology	China
-	CRN Safety (e.g. electr. safety, overpressure, ...)	Canada

Certificates (option)

- 2.2 test report per EN 10204 (e.g. state-of-the-art manufacturing, material proof, indication accuracy)
- 3.1 inspection certificate per EN 10204 (e.g. material proof for wetted metallic parts, indication accuracy)
- PCA calibration certificate, traceable and accredited in accordance with ISO/IEC 17025
- Calibration certificate by the national accreditation body, traceable and accredited in accordance with ISO/IEC 17025 on request

Approvals and certificates, see website

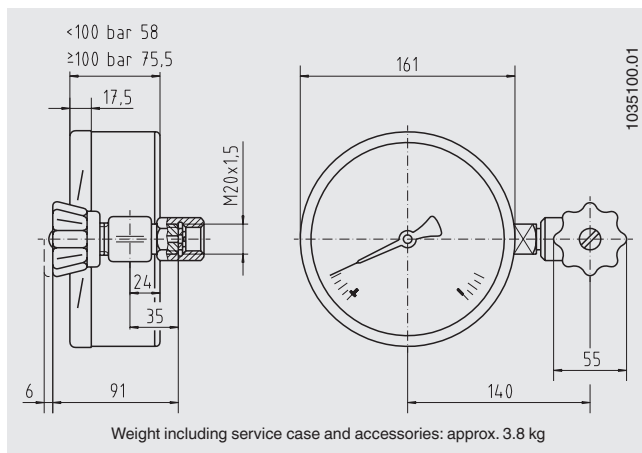
Typ 332.11 in service case

Scope of delivery

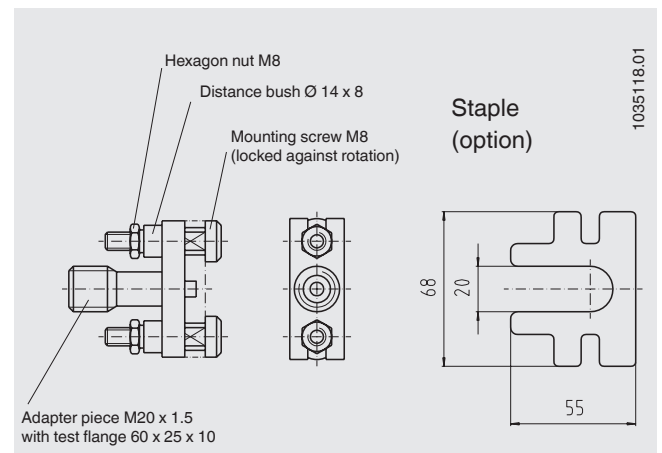
- Service case 270 x 180 x 135
- LH-RH union M20 x 1.5 DIN 16283
- Adapter piece M20 x 1,5 with test flange 60 x 25 x 10
- 2 x Mounting screws M8
- 2 x Hexagon nuts M8
- 3 x Sealings 16.5 x D17
- 2 x Distance bushes
- Acceptance test certificate, examination certificate, list of single measured values

Dimensions in mm

Model 332.11



Parts of model 332.11 in service case



Ordering information

Model / Nominal size / Scale range / Connection size / Options

© 02/1995 WIKA Alexander Wiegand SE & Co. KG, all rights reserved.
The specifications given in this document represent the state of engineering at the time of publishing.
We reserve the right to make modifications to the specifications and materials.

